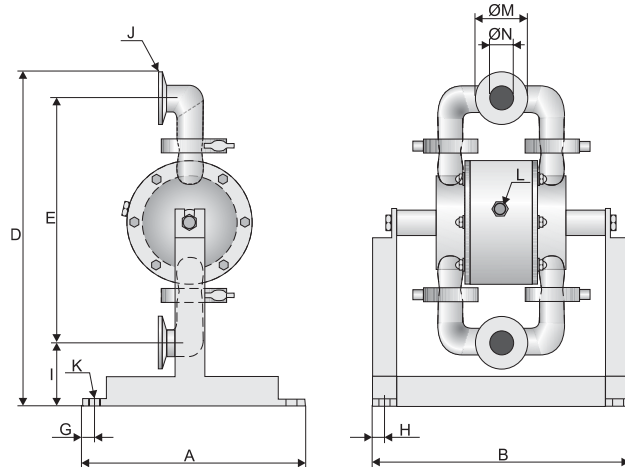


Dimensions

Dim	Pump size			
	80	125	225	425
A	290	290	360	440
	11.4	11.4	14.2	17.3
B	295	320	420	485
	11.6	12.6	16.5	19.1
D	396	445	639	840
	15.6	17.5	25.2	33.1
E	297	349	514	698
	11.7	13.7	20.2	27.5
G	14	14	14	14
	0.6	0.6	0.6	0.6
H	10	10	10	10
	0.4	0.4	0.4	0.4
I	73	71	86	97
	2.9	2.8	3.4	3.8
J	TC 1" DN25 SMS 25	TC 1 1/2" DN40 SMS 38	TC 2 1/2" DN50 SMS 51	TC 3" DN65 SMS 63.5
	K	9	9	9
ØM*	0.4	0.4	0.4	0.4
	50	50	77	95
ØN*	2.0	2.0	3.0	3.7
	0.9	1.4	1.9	2.6

Dimensions in mm (where other is not indicated)
 Dimensions in inch (where other is not indicated)



* = Dimensions for standard TC connectitons only